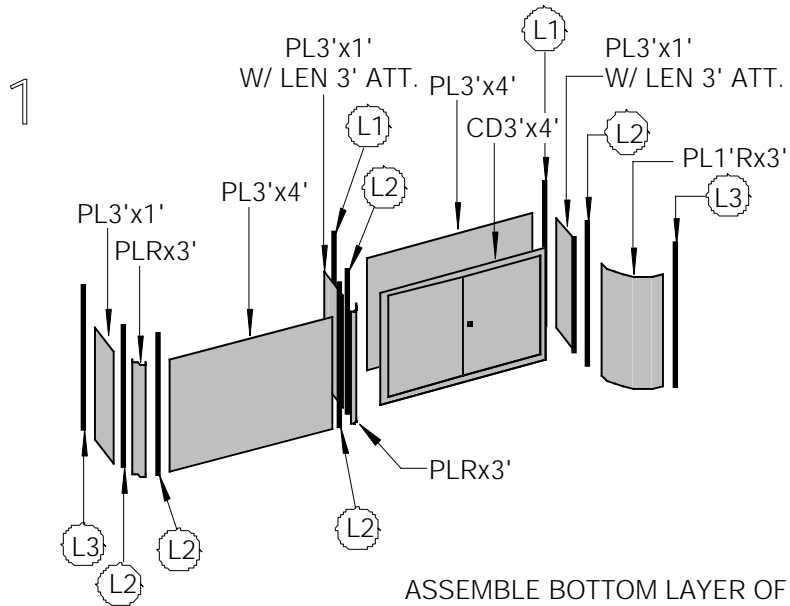


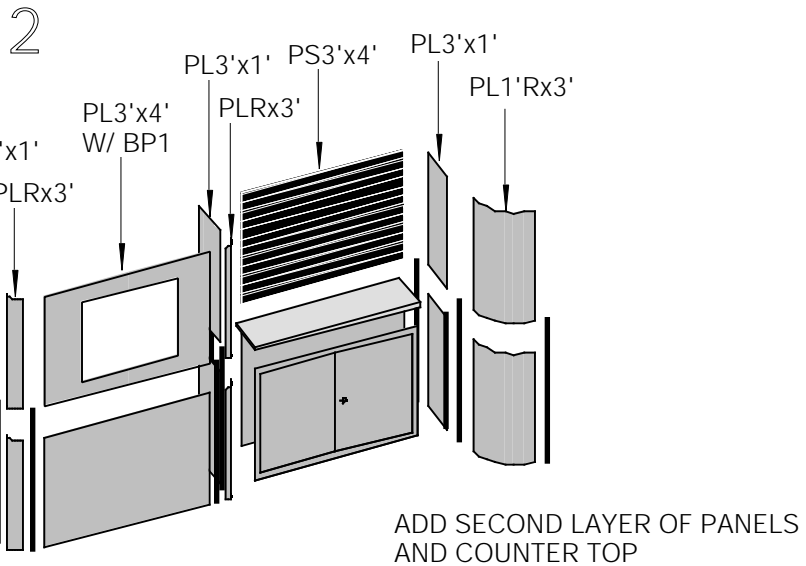
LINK LEGEND			
SYMBOL	PROFILE	TYPE/ LENGTH	ATTACHED/ LAMINATED
(L1)		L90S 4'	
(L2)		L180N 4'	
(L3)		LE 4'	
(L4)			
(L5)			
(L6)			
(L7)			
(L8)			
(L9)			
(L10)			
HARDWARE LEGEND			
LHS		LINK HEADER STOP: SLIDE HALFWAY INTO TOP PANEL TRACK AND TIGHTEN. PREVENTS PANELS FROM SLIDING DOWN LINK.	
LAMINATE LEGEND			
PIONITE ETCHED PLATINUM			

## SERVICE PLUS

Detailed Set-Up Instructions are essential on Nimlink exhibits. Set-Up drawings and complete packing instructions are prepared as part of our Service Plus program, that also includes a complete set up of the exhibit. The price of Service Plus is 3% of the total exhibit cost subject to normal discount.

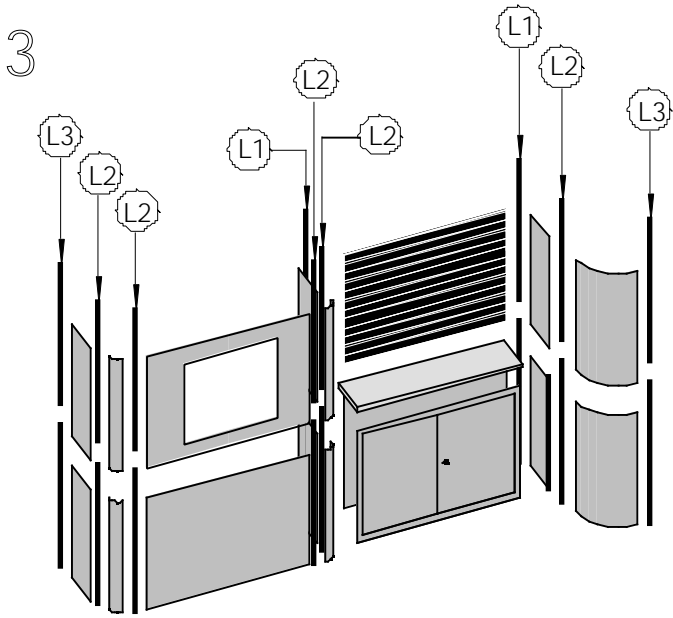


ASSEMBLE BOTTOM LAYER OF PANELS AND LINK

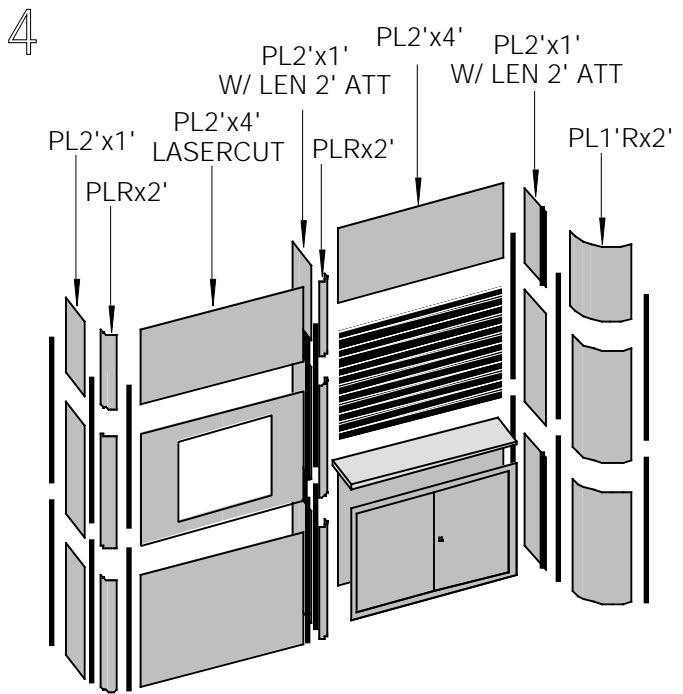


ADD SECOND LAYER OF PANELS AND COUNTER TOP

LINK LEGEND			
SYMBOL	PROFILE	TYPE/ LENGTH	ATTACHED/ LAMINATED
L1		L90S 4'	
L2		L180N 4'	
L3		LE 4'	
L4			
L5			
L6			
L7			
L8			
L9			
L10			
HARDWARE LEGEND			
LHS		LINK HEADER STOP: SLIDE HALFWAY INTO TOP PANEL TRACK AND TIGHTEN. PREVENTS PANELS FROM SLIDING DOWN LINK.	
LAMINATE LEGEND			
PIONITE ETCHED PLATINUM			

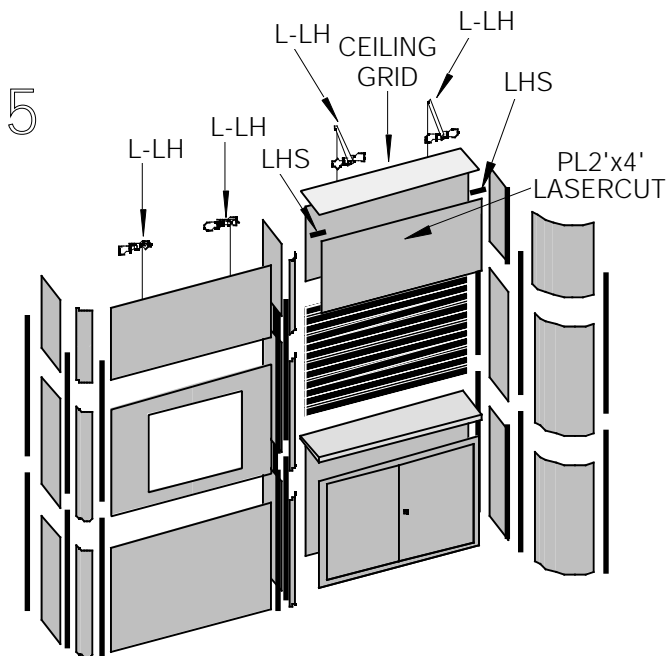


ADD SECOND LAYER OF LINK



ADD THIRD LAYER OF PANELS

LINK LEGEND			
SYMBOL	PROFILE	TYPE/ LENGTH	ATTACHED/ LAMINATED
L1		L90S 4'	
L2		L180N 4'	
L3		LE 4'	
L4			
L5			
L6			
L7			
L8			
L9			
L10			
HARDWARE LEGEND			
LHS		LINK HEADER STOP: SLIDE HALFWAY INTO TOP PANEL TRACK AND TIGHTEN. PREVENTS PANELS FROM SLIDING DOWN LINK.	
LAMINATE LEGEND			
PIONITE ETCHED PLATINUM			



ADD PANEL, LIGHTS AND HARDWARE

## PANEL CODES

- |                         |                             |
|-------------------------|-----------------------------|
| PF = Loop nylon panel   | CD = Cabinet door panel     |
| PR = Rib textured panel | DP = Full height door panel |
| PL = Laminate panel     | SD = Sliding door panel     |
| PP = Plexiglass panel   | CT = Counter top            |
| PS = Slotwall panel     | CG = Ceiling grid           |
| LB = Lightbox panel     | NGP = Nimlok graphic panel  |
| LP = Lokpanel           | FR = Frame only panel       |

NOTE: The darkened ovals indicate which types of panels are used in your booth.

**NIMCRATE PACKING**

