

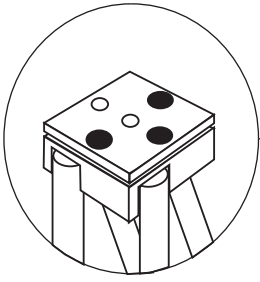
**Quick Reference Packing Guide For
10' Curved Unit With Lights & Counter**

Compact Magnetic set-up instructions



DISPLAY AND EXHIBIT SOLUTIONS WORLDWIDE

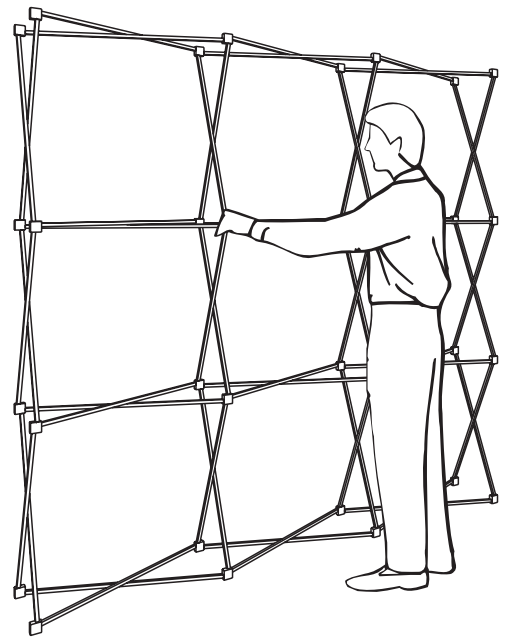
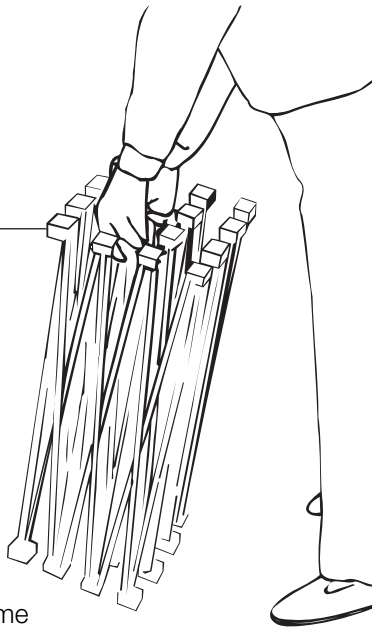
Opening the Frame



Magnet position

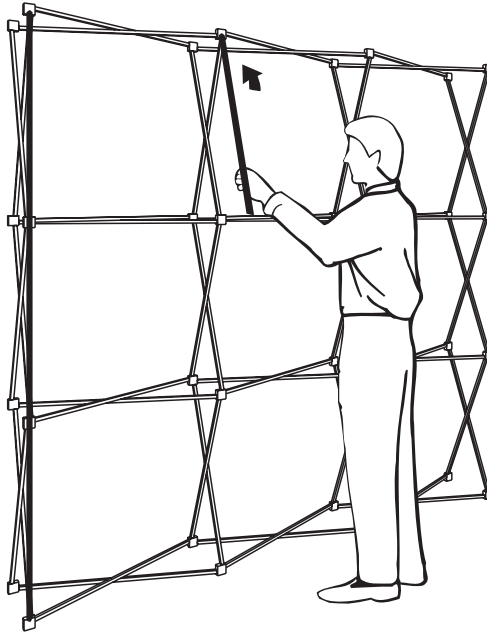
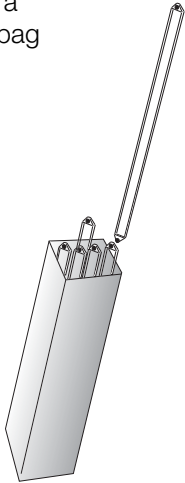
The frame will automatically lock when it is in the open position

Unlike Compact frames,
The top and bottom are the same



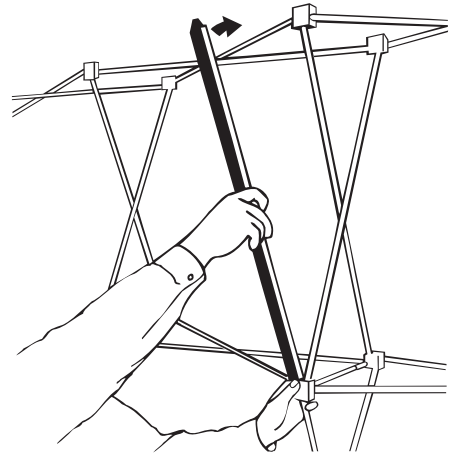
Attaching Channel Bars

The magnetic channel bars are stored in a channel bar bag



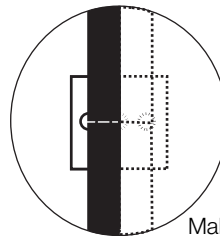
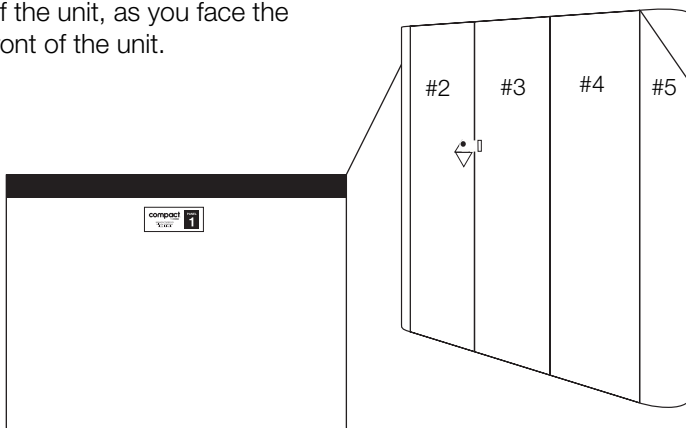
Individual Channel Bars

Individual Channel Bars snap into place as shown.

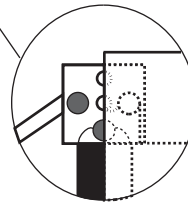


Attaching Panels

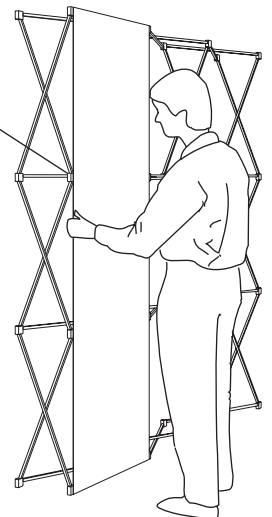
To attach panels, start with Panel #1 on the left side of the unit, as you face the front of the unit.



Make sure panel edges align with the center line on the magnetic Channel Bar.

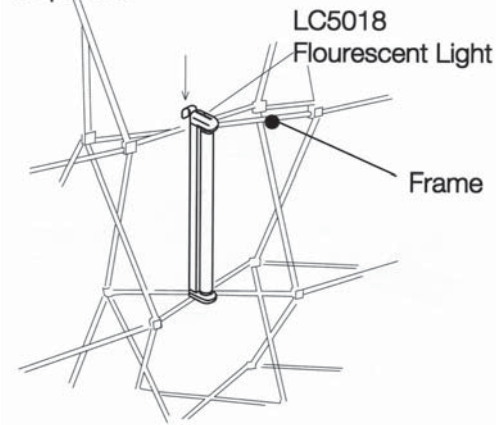


Panels attached to side magnets.

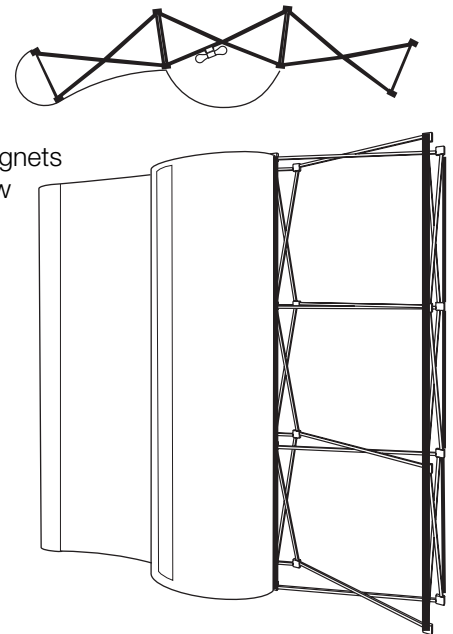


Bubble Panels

Attach the LC5018 fluorescent fixture to the frame where the bubble panel will be placed.

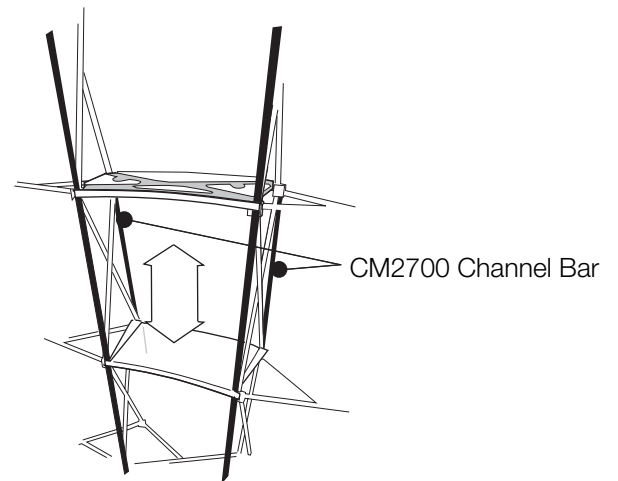
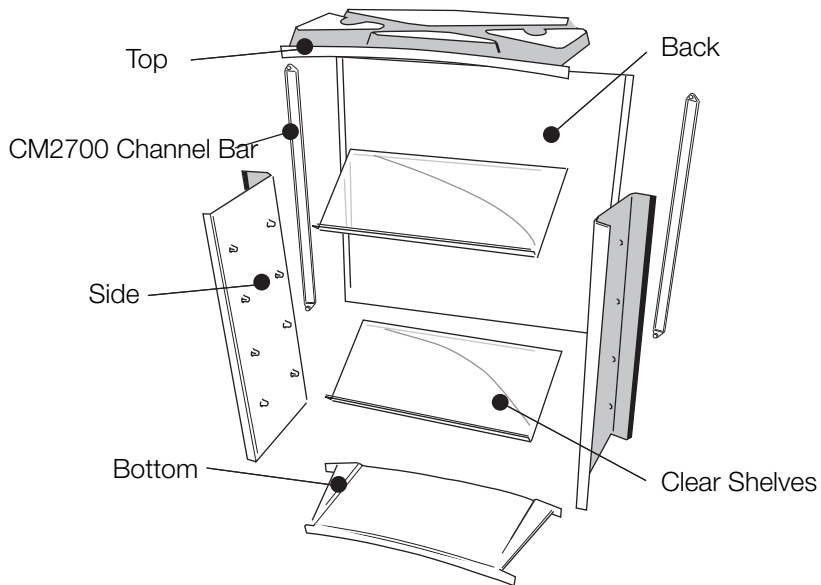


Apply the Bubble Panel's magnets to the Channel Bars and allow the panel to bow forward.

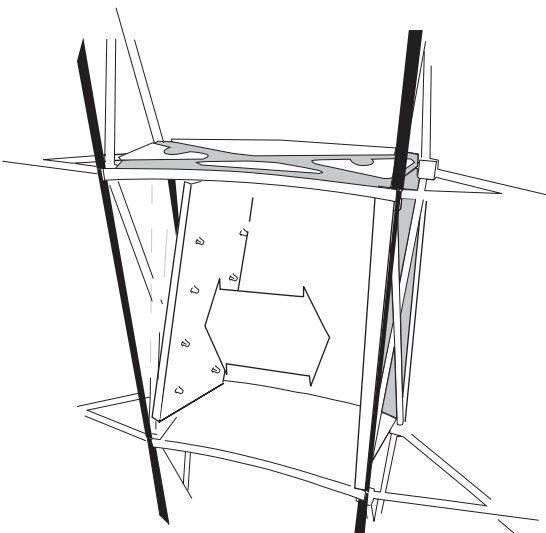


Shadowbox Assembly

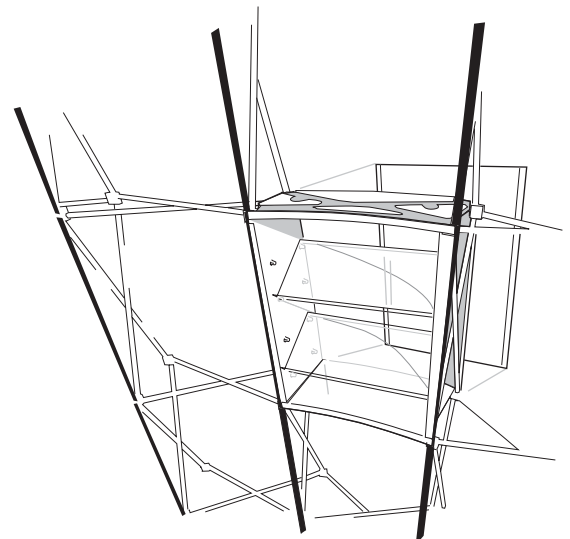
1 After installing the Channel Bars, insert the Top & Bottom into the Frame.



2 While holding up the Top, insert the Sides between the Top & Bottom.

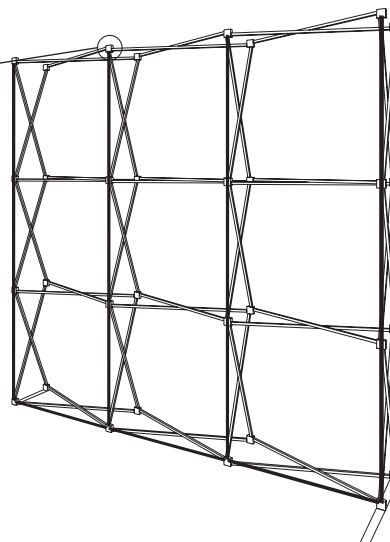
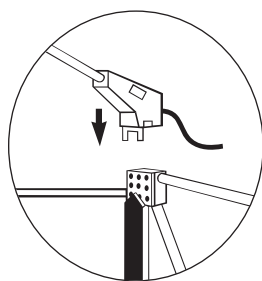


3 To finish the installation, slide in the Clear Shelves & attach the Back.



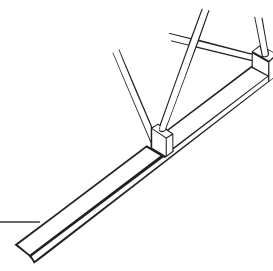
Attaching Lights

Unit may be tipped forward for easy Light installation.

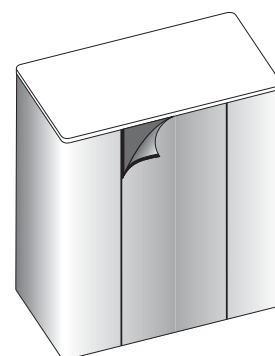
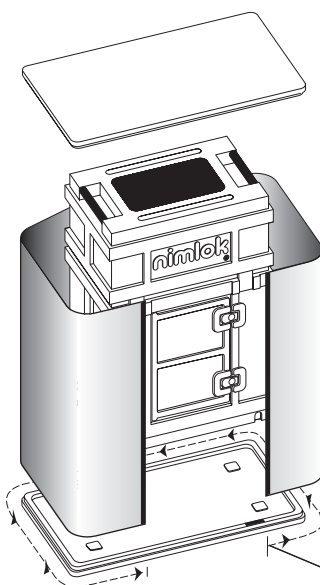
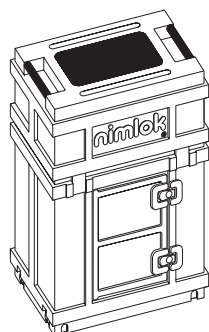


Stabilizer Feet

Stabilizer Feet are needed only on Straight units.



CCK2 Case-to-Counter Conversion



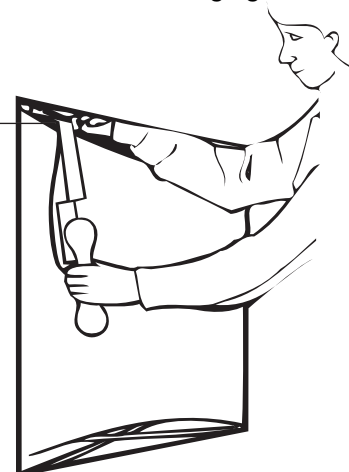
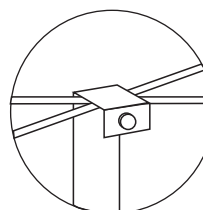
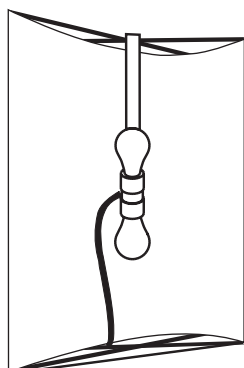
Start Case-To-Counter Outer Panel here.

Light Box Assembly

1 Attach Light Box backer.

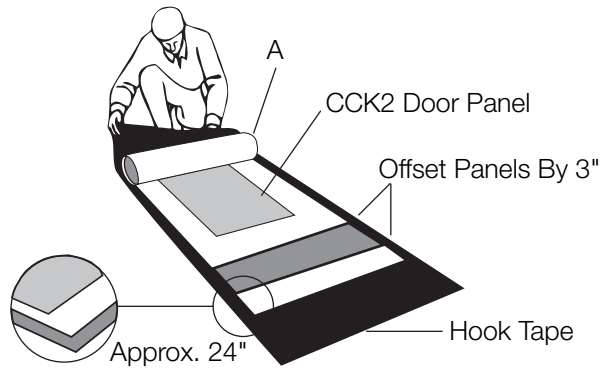


2 Secure Light Fixture by tightening the thumb screw on the hanging Fixture.



Panel Packing Instructions

Always Roll Up Panels With Fabrix Facing Fabric and Magnetic Facing Magnetic

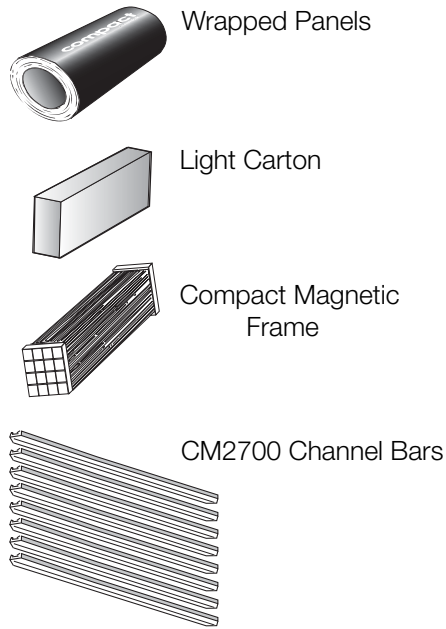


- 1 Lay Panel Wrap logo down, with the Hook Tape side facing up. Position the first panel approximately 24" below the Hook Tape. All Panel hooks must be placed at the end marked "A".

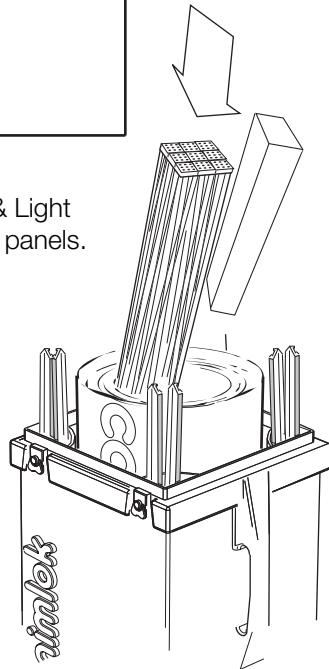


- 2 Stack Panels largest to smallest & offset the panels by approximately 3". Include the optional CCK2 door panel.
- 3 Roll up panels together within Wrap and secure with Hook & Loop Tape.

Compact Magnetic MCW2 Case Contents

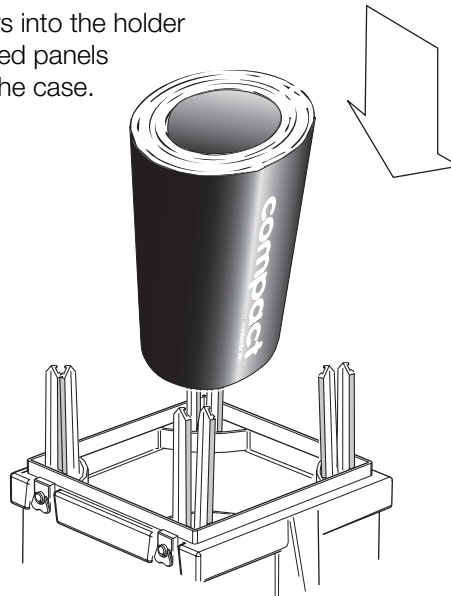


- 2 Pack the Frame & Light Carton inside the panels.

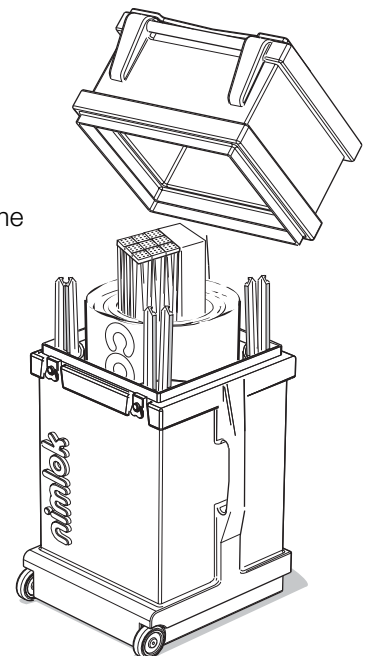


MCW2 Packing Instructions

- 1 Insert Channel Bars into the holder & place the wrapped panels into the center of the case.

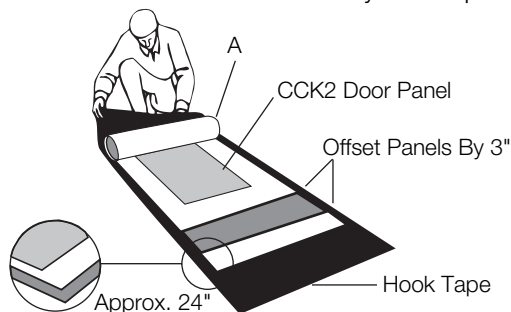


- 3 Place the lid on the case with the handle on the same side as the wheels.



Panel Packing Instructions

Always Roll Up Panels With Fabrix Facing Fabric and Magnetic Facing Magnetic



1 Lay Panel Wrap logo down, with the Hook Tape side facing up. Position the first panel approximately 24" below the Hook Tape. All Panel hooks must be placed at the end marked "A".

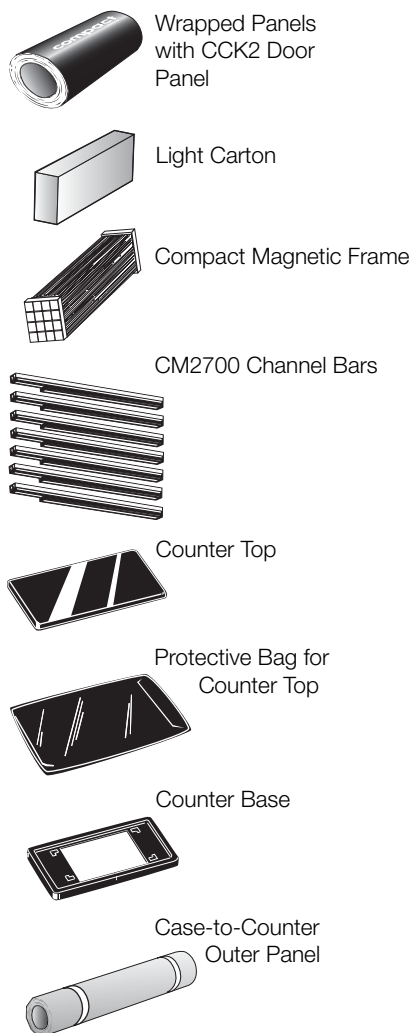


2 Stack Panels largest to smallest & offset the panels by approximately 3". Include the optional CCK2 door panel.

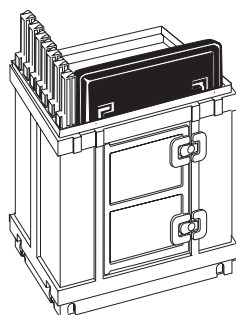


3 Roll up panels together within Wrap and secure with Hook & Loop Tape.

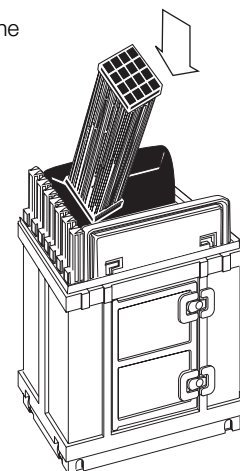
Compact Magnetic MCWC Case Contents



MCWC Packing Instructions

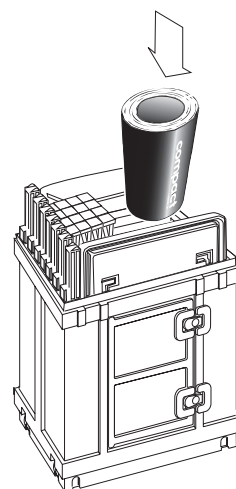


1 Insert Channel Bars upright into the holder in the bottom of the case. Slide the Counter Base into the case along the door side.



2 Place the Counter Top in the Protective Bag, then place it in the case along the side opposite the door.

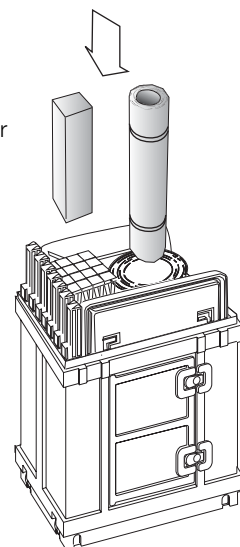
3 Pack the Frame next to the Channel Bar holder.



4 Place the wrapped Panels between the Counter Base and Counter Top.

5 Roll up the Case-to-Counter Outer Panel. Secure it with rubber bands & insert it in the center of the Wrapped Panels, into the well in the bottom of the case.

Slide the Light Carton between the Frame and Counter Base.



Refer to front cover for packing diagram.

nimlok

DISPLAY AND EXHIBIT SOLUTIONS WORLDWIDE
WWW.NIMLOK.COM

Nimlok Company
7420 N. Lehigh Avenue
Niles, IL 60714-4024
Phone: 847-647-1012
Fax: 847-647-2044
E-mail: info@nimlok.com

Product specifications are subject to change without notice. Patents applied for. Manufactured by Nimlok Company, Niles, Illinois and Nimlok Canada Ltd., Markham Ontario. Copyright © 2005 Nimlok Company. Printed in USA.